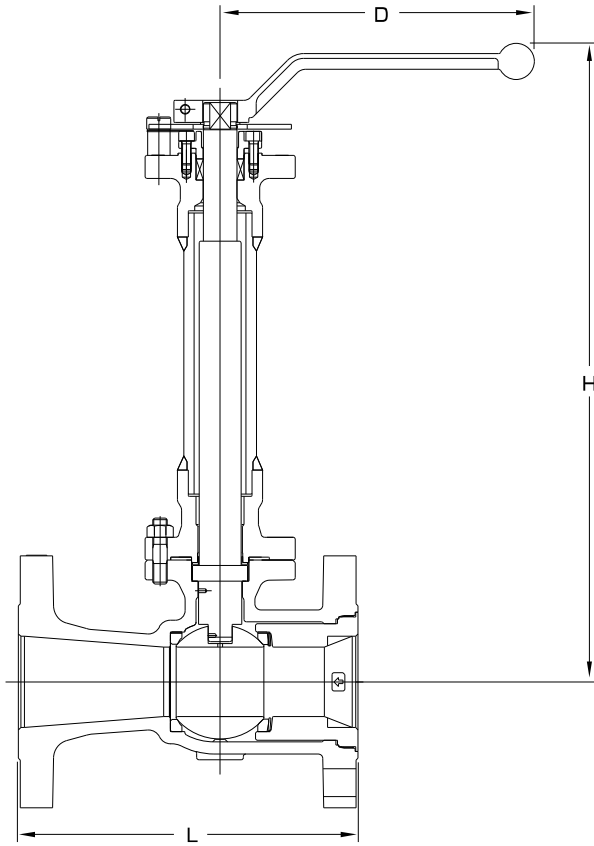


## Class150/300 Stainless Steel Floating Ball Design, Reduced Bore, 1-piece body, End Entry

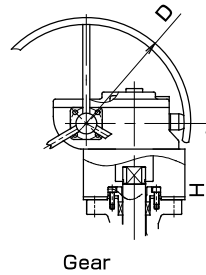


### Design Specifications

Wall thickness	BS 5351 Class 150/300
Cryogenic valve citation standard	MESC
Face to face dimensions	ASME B16.10 Class 150/300
End connection dimensions	ASME B16.5 Class 150/300

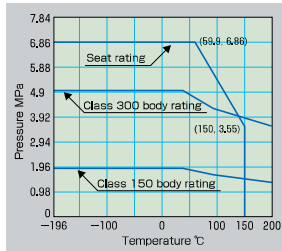
### Materials

Name of parts	Materials
Body	A351 Gr. CF8M
Insert	A276 Type 316 or A479 Type 316 or A351 Gr. CF8M
Bonnet	A276 Type 316 or A479 Type 316 + A312 TP 316
Stem	A564 Type630
Ball	A276 Type 316 or A351 Gr. CF8M
Seat spring	A167 Type 304 (size 3 and over)
Gland packing	Flexible graphite cored PTFE braided packing + Flexible graphite packing or PTFE braided packing + Flexible graphite packing.
Gasket	Flexible graphite spiral wound.
Ball seat	PTFE + Flexible graphite
Ball seat	PCTFE / Hypatite PTFE
Bonnet bolt	A320 Gr.B8M
Bonnet nut	A194 Gr.8M

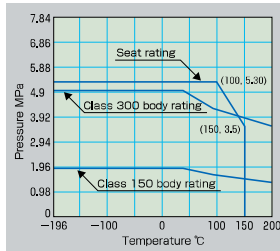


### ● Pressure-Temperature Rating

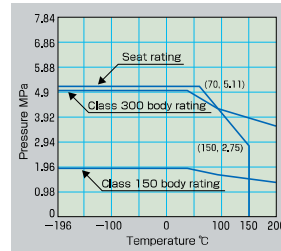
150UTALM 1/2~1  
300UTALM 1/2~1



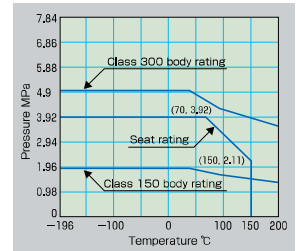
150UTALM 1 1/2~3  
300UTALM 1 1/2~3



150UTALM4 G-150UTALM6  
300UTALM4 G-300UTALM6



G-150UTALM8 G-150UTALM10  
G-300UTALM8 G-300UTALM10



### SIZE ● Class150:150UTALM

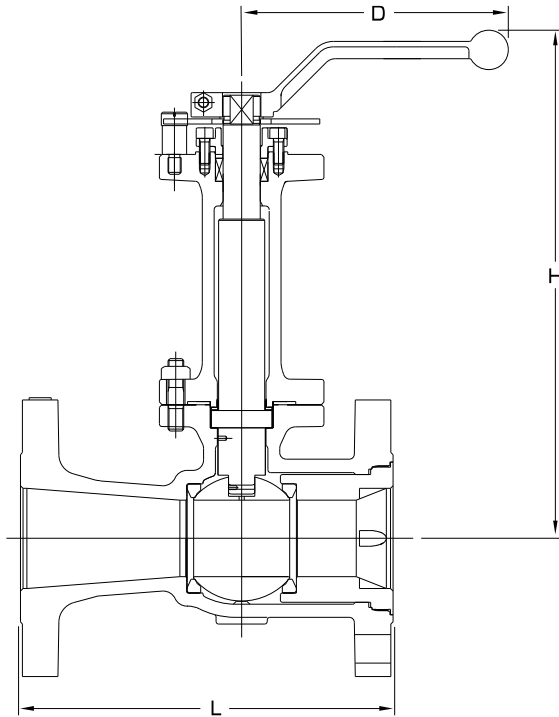
Nominal Size	inch mm	1/2	3/4	1	1 1/2	2	2 1/2	3	4	5	6	8	10	12	14	16	18	20	24	
		15	20	25	40	50	65	80	100	125	150	200	250	300	350	400	450	500	600	
L		108	117	127	165	178	—	203	229	—	267	292	330							
H		312	314	276.5	405	421	—	532	548	—	658	712.5	836.5							
D		140	140	160	180	230	—	400	400	—	400	400	500							

### ● Class300:300UTALM

Nominal Size	inch mm	1/2	3/4	1	1 1/2	2	2 1/2	3	4	5	6	8	10	12	14	16	18	20	24	
		15	20	25	40	50	65	80	100	125	150	200	250	300	350	400	450	500	600	
L		140	152	165	190	216	—	283	305	—	403	419	457							
H		312	314	268	405	421	—	532	548	—	711	745.5	836.5							
D		140	140	160	180	230	—	400	400	—	500	500	500							

\*Size 6 and over gear operated

## Class150/300 Cast Carbon Steel Floating Ball Design, Reduced Bore, 1-piece body, End Entry

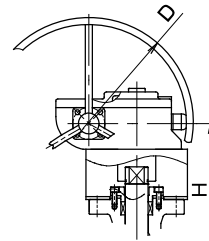


### Ef t jho!Tqf djgdbjpot

X bmtu jdl of t t!!	BTN FIC27/45!Drbt t !2610411
Qsf tt vsf .uf n qf sswsf !sbjoh!! Tf f !hsbqi lcf rpx !	
Gdbf !p!p!df lejn f ot jpot!!	BTN FIC27/21!Drbt t !2610411
Foeldpoof djpolejn f ot jpot!!	BTN FIC27/6!Drbt t !2610411

### N bnf sbrt

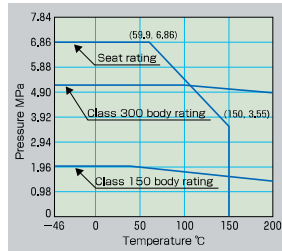
Obn f !pgqbst	N bnf sbrt
Cpez	B463!MDD!!!!!!
Jbt f su	B461!Hs!MG3!ps!B463!Hs!MDD!!!!!!
Cpoof u	B461!Hs!MG3!!!!!!
Tuf n	B387!Uzqf !427!ps!B58: !Uzqf !427!!!!!!
Cbmm	A276 Type 316 or A479 Type 316 or A351 Gr. CF8M
Hbwo!qbd! joh	Ghycrnlhsbqi juf !dpsf e!QUGF!csbjef e! ! qbd! joh!, !Ghycrnlhsbqi juf !qbd! joh!ps!QUGF! ! csbjef elqbd! joh!, !Ghycrnlhsbqi juf !qbd! joh!!!!!!
Hbt l f u	Ghycrnlhsbqi juf !t qjbrfx pvoe! ! QUGF!, !Ghycrnlhsbqi juf !!!!!!!
Cbrnt f bu	! ZQB!UUF!QUGF!!!!!!
Cpoof ucpru	B431!Hs!MBN!!!!!!
Cpoof uovu	B2: 5!Hs!8N!!!!!!



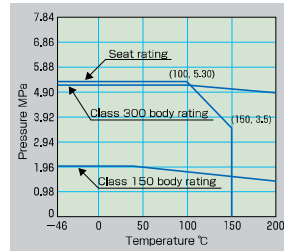
Gear

### ● Pressure-Temperature Rating (Seat rating)

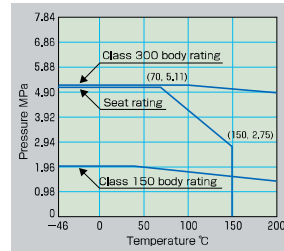
150TDUBYDM 1/2~1  
300TDUBYDM 1/2~1



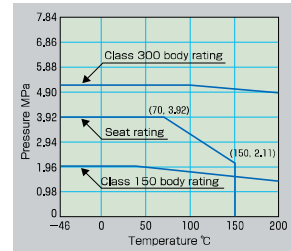
150TDUBYDM 1 1/2~3  
300TDUBYDM 1 1/2~3



150TDUBYDM 6 G-150TDUBYDM 6  
300TDUBYDM 6 G-300TDUBYDM 6



G-150TDUBYDM 8, 10  
G-300TDUBYDM 8, 10



### 寸法表 ● Class150:150TDUBYDM

Nominal Size	inch mm	1/2	3/4	1	1 1/2	2	2 1/2	3	4	5	6	8	10	12	14	16	18	20	24
		15	20	25	40	50	65	80	100	125	150	200	250	300	350	400	450	500	600
L		108	117	127	165	178	—	203	229	—	267	292	330	—	—	—	—	—	—
H		212	214.5	172.5	282	291	—	386	402	—	483.5	558	615	—	—	—	—	—	—
D		140	140	160	180	230	—	400	400	—	300	300	400	—	—	—	—	—	—

### ● Class300:300TDUBYDM

Nominal Size	inch mm	1/2	3/4	1	1 1/2	2	2 1/2	3	4	5	6	8	10	12	14	16	18	20	24
		15	20	25	40	50	65	80	100	125	150	200	250	300	350	400	450	500	600
L		140	152	165	190	216	—	283	305	—	403	419	457	—	—	—	—	—	—
H		212	214.5	181.5	282	291	—	386	402	—	483.5	558	615	—	—	—	—	—	—
D		140	140	160	180	230	—	400	400	—	300	300	400	—	—	—	—	—	—

\* Size 6 and over gear operated.